



2-WHEEL CENTER KICKER ASSEMBLY

BFO2-12HC

**SET-UP
INSTRUCTIONS**

Part #75481

HSMFG0716

Rev. #00

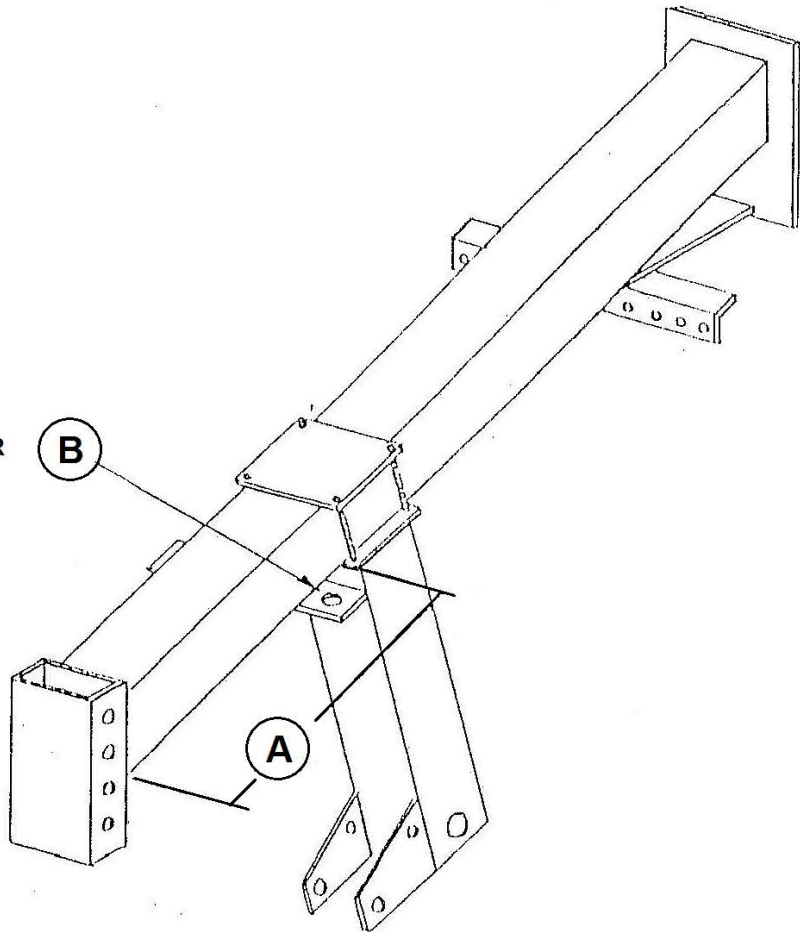
STRONG HERITAGE - STRONG PEOPLE - STRONGER FUTURE

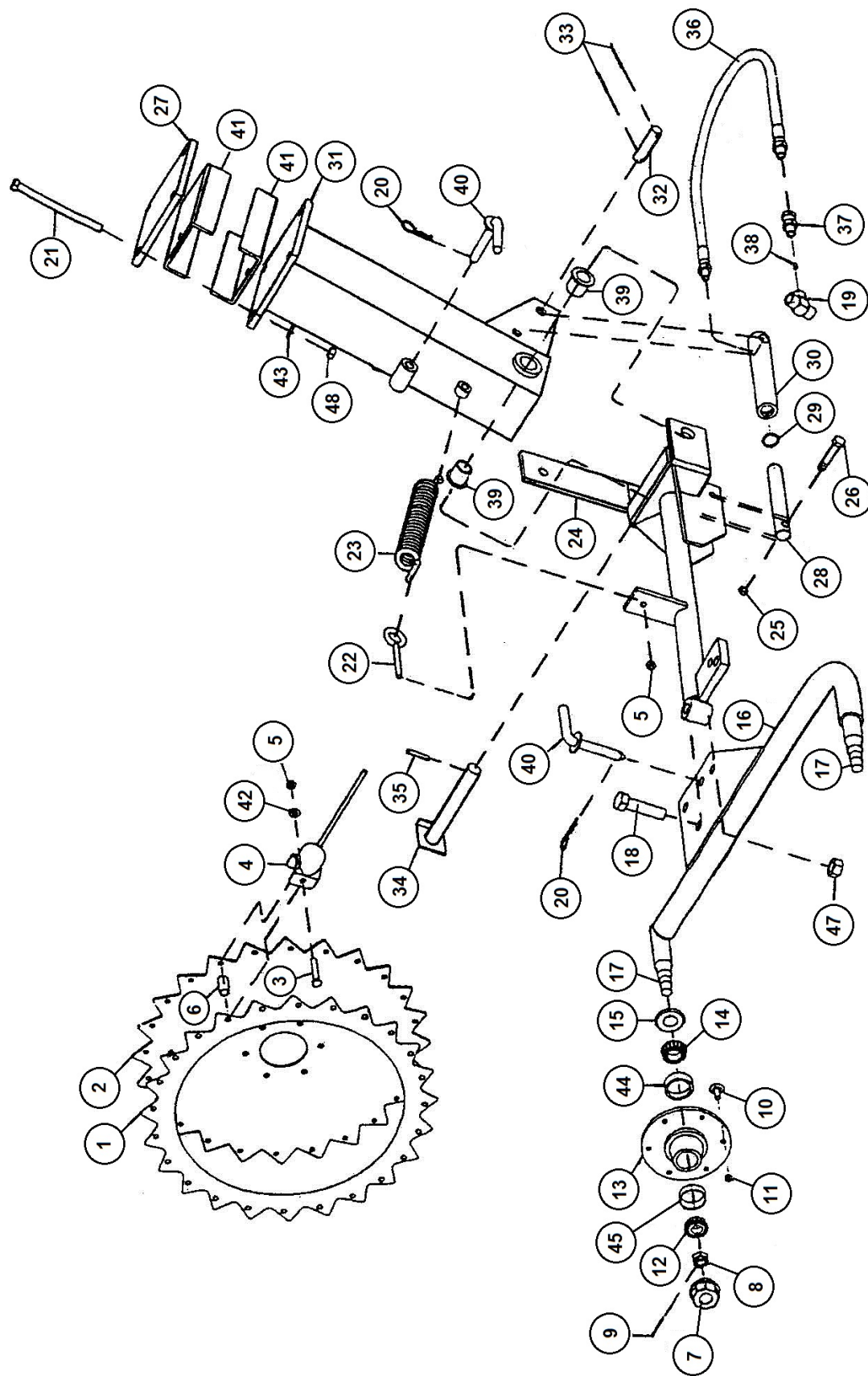
TRANSPORT LOCK STORAGE BAR

B

A - BOLTING POSTION:
12 WHEEL, RAKE - 29.000"

ON THE 12 WHEEL RAKE ONLY, YOU
MAY HAVE TO BEND DOWN
STORAGE BAR TO ALLOW TRANS-
PORT PIPES TO FIT ALONG KICKER
WHEEL MOUNT. (BEND ABOUT 1/8"
TO 3/16".)





ITEM	PART #	DESCRIPTION
1.	BFR369	Rake Wheel Ring
2.	BFR370	Rake Wheel Center
3.	T123	3/8" x 2-1/4" Bolt GR.5
4.	T82	Rake Wheel Tooth
5.	K93	3/8" Lock Nut
6.	BFR371	Rake Wheel Spacer
7.	T173	Hub Cap
8.	T172	Nut
9.	T169	Cotter Key
10.	T168	10MM x 25MM Bolt
11.	T166	10MM Nut
12.	T170	Outer Bearing
13.	BFR32	Rake Wheel Hub
14.	T164	Inner Bearing
15.	T163	Seal
16.	BFR511	Center Kicker Wheel Arm
17.	BFR36	Spindle
18.	18N48	Pivot Pin Bolt 3/4" x 3" GR.5
19.	BFR74	3/8" Pipe Tee
20.	ES7	Hair Pin
21.	BFR494	1/2" x 6-1/2" Bolt GR.5
22.	BFR374	3/8" x 3" I-Bolt
23.	BR62	Spring
24.	BFR512	Center Kicker Wheel Pivot
25.	9S17	1/2" Locknut
26.	BFR375	1/2" x 2-1/2" Bolt GR.5
27.	BFR513	Kicker Wheel Mount
28.	BFR114	Piston
29.	BFR115	"O" Ring
30.	BFR116	Hydraulic Cylinder
31.	BFR514	Kicker Wheel Offset
32.	BFR515	Cylinder Pin
33.	T72	5/32" x 1-1/2" Cotter Key
34.	BFR379	Axle Shaft
35.	3G22	Roll Pin
36.	BFR121	Hose
37.	BFR122	3/8" Union/Adapter
*	BFR529	Adapter Union w/Orifice
38.	BFR380	Orifice
39.	BFR27	Bushing
40.	BFR197	Locking Pin
41.	BFR516	Filler Plate
42.	B68	Lockwasher
43.	R3	Lockwasher
44.	T165	Inner Race
45.	T171	Outer Race
47.	HE7	Locknut
48.	R11	Locknut

NOTE: ~ (Same Part No. as 12 Wheel Rake)
 - (Part is Not Used on This Model)
 * (Means Not Shown)

H&S MFG. CO.

products approved

for the

FEMA

SEAL OF QUALITY



Manufactured By:

H&S MANUFACTURING CO., INC.

2608 S. HUME AVE. MARSHFIELD, WI 54449

(715) 387-3414 | hsmfgco.com

